



CURVIC COUPLING

DLC
DLC CO.,LTD.

CURVIC COUPLING

Product Description of CURVIC COUPLING.

Curvic Coupling is used for Turret of CNC Lathe
Machining Center, Robot, Gas Turbine, Airplane, etc



» Feature

Accurate and precise centering

The curvature of the teeth enables unique self-centering feature. One member is ground with the outside edge of the cup type grinding wheel to form a concave-shaped tooth. The mating member is ground with the inside edge, thus producing a convex-shaped tooth. Both parts of the coupling are ground to ensure that they mesh at the center of the teeth. The coupling has the advantages of accurate alignment and precision centering whenever they are in mesh.

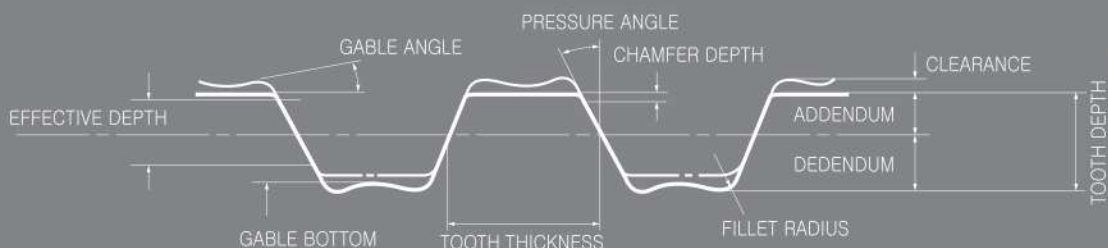
High indexing accuracy of ± 2 sec of arc.

This such high accuracy is achieved by the precise self centering feature of the wide spread tooth contacting uniformly over all the teeth.

High wear resistance

High grade case hardened steels are used to manufacture the couplings. The teeth are first cut, hardened to HRC 60 and then accurately ground. This gives a high level of durability to the precision tooth profile, which means that the coupling retains its high accuracy characteristic over a long period of use.

» Teeth Viewed at the Outside Diameter

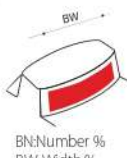


High precision measurement

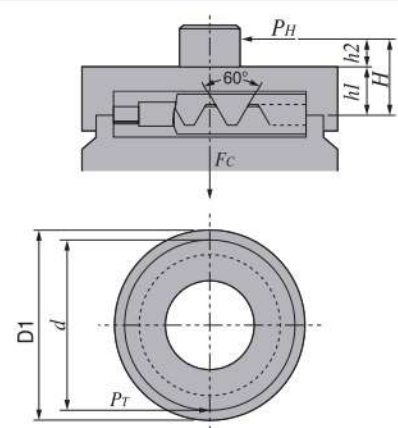
Long term quality assurance is provided by a secure quality control of entire products



» Quality control procedures

ITEM		Accuracy	Super Accuracy	NOTE
Tooth Contact	At the number of teeth (B.N)	More than 80%	More than 90%	 <p>BN: Number % BW: Width %</p> <p>Tooth mating state is brought into contact with the standard master curvic coupling. The standard teeth contacting length should be above 50% of teeth length. Throughout the whole teeth, two adjacent teeth should not be disconnected. More than 80% if teeth surface should contact evenly.</p>
	At the face width (B.W)	More than 50%	More than 50%	
Tooth coupling	Run out on top face	0.02	0.01	The run out is checked by light mating with master curvic coupling
	Run out at outside diameter	0.02	0.01	
	Indexing Accuracy	5"	3"	4-Division accumulate maximum error
	Coupling Thickness	±0.10	±0.05	The combined thickness of mated convex and concave teeth is marked as in the standard dimension table.

» High precision measurement



$D_m = \frac{D_1 + D_2}{2}$

1. Allowable level load : F

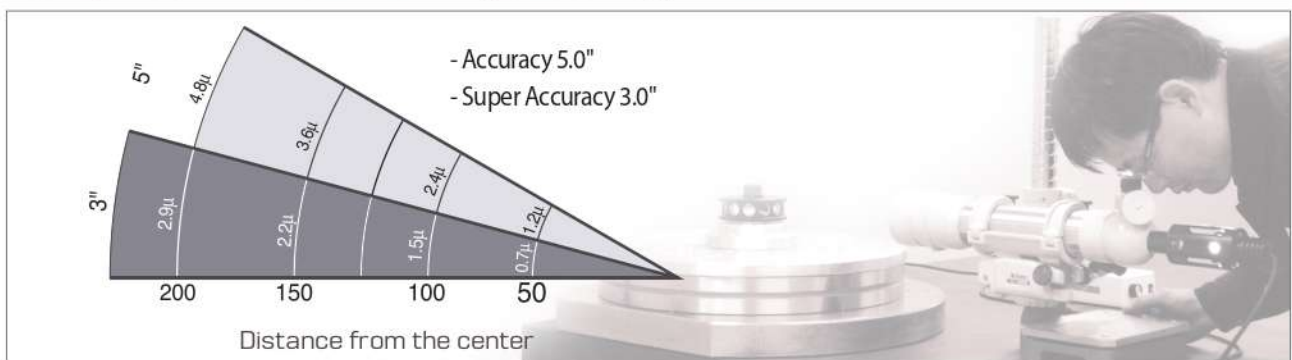
$$F = \frac{P \cdot (D_1/2)}{H^2} \text{ kg}$$
2. Allowable perpendicular load : W

$$W = \frac{P \cdot (D_1/2)}{R \cdot (D_1/2)} \text{ kg}$$
3. Circular component of force : N (kg)

$$N = P \tan 60^\circ$$
3. Allowable TORQUE : T (kgf mm)

$$T = P \tan 60^\circ \cdot (DM/2) = N \cdot (DM/2)$$

» Comparison chart between angle accuracy a linear tolerance



Curvic Coupling

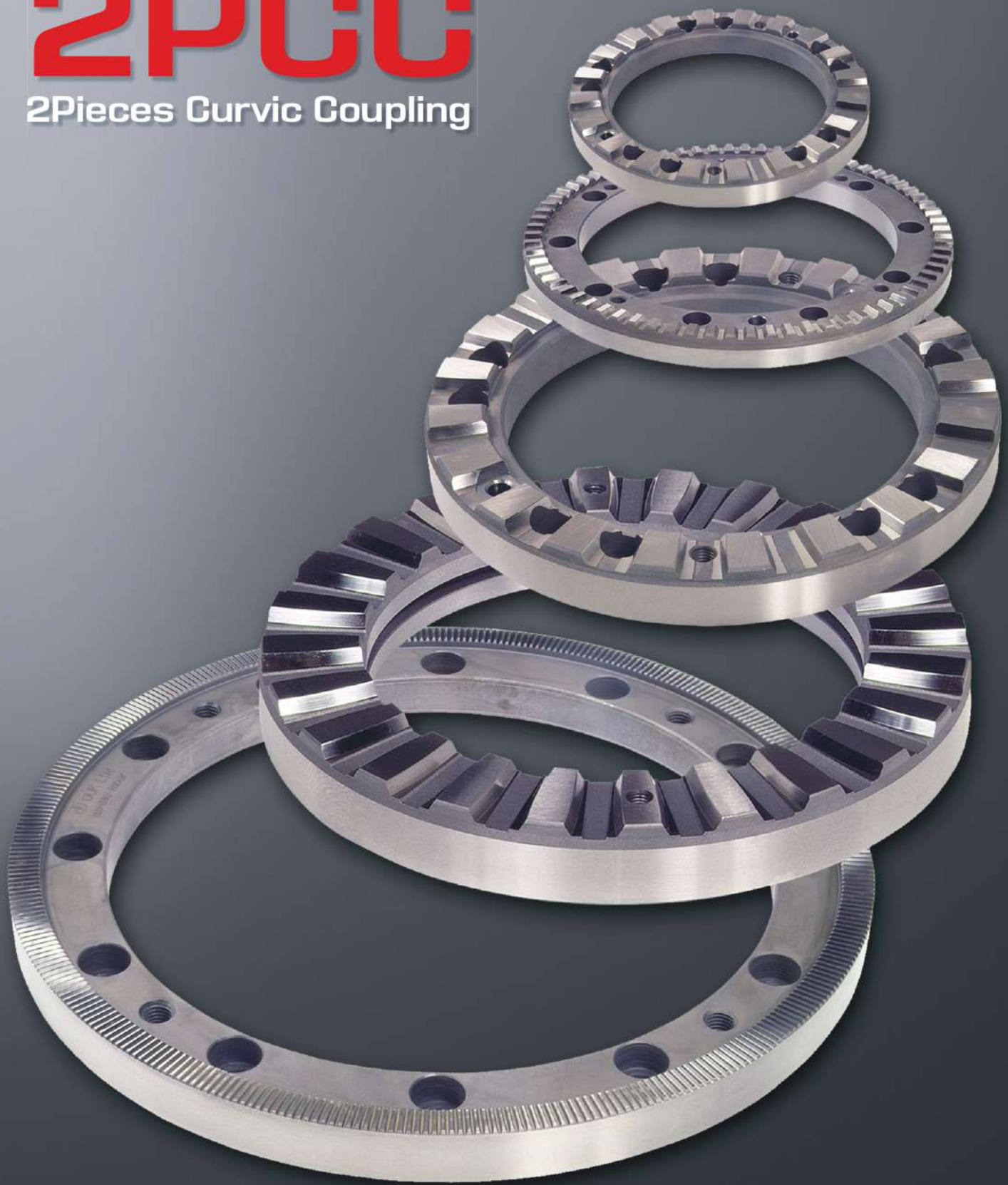
Because it can receive enough hardness and big clamp force at Machining Center of Index Table. High Torque Is suitable by power transmission purpose Curvic Coupling's Allowable load differs according to size.

Allowable Cutting Load, Allowable Torque, and Force Clamp is calculated and decided according to it's usage



2PCC

2Pieces Curvic Coupling



2PCC

2Pieces Curvic Coupling

- With the small teeth
- It has simple structure
- High accuracy used to dowel
- Customized manufacturing for specific purpose is available.

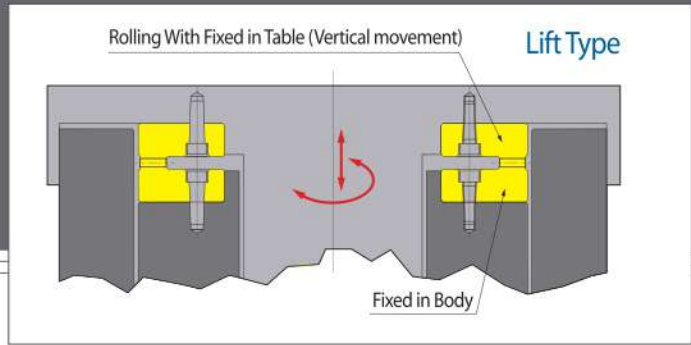
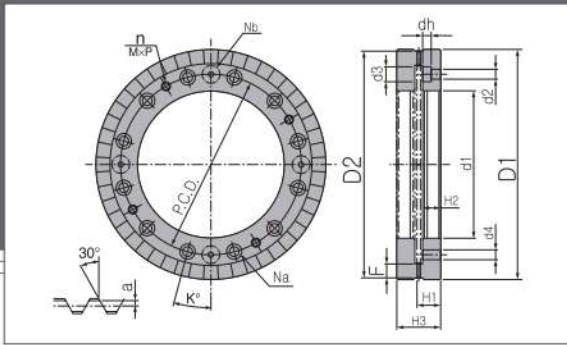


» Specification

Model No.	20 Number of teeth	030 Outside DIA.	12 Inside DIA.	XV 2PCC
-----------	-----------------------	---------------------	-------------------	------------

NO	Model NO.	Number of teeth	Outside DIA.	Inside DIA.	Outside DIA.	Teeth profile	Top end thickness of teeth	Inside thickness	Total thickness	Inside DIA.	Fixed bolt hole				Positioning pin hole			Withdraw bolt hole		Pitch of top end	Allowance of pitch top end		
											Number of holes	Hole DIA.	Top DIA.	Dept. of hole	Number of pin hole	P.C.D	Angle of hole	Hole DIA.	Number of holes			P.C.D	Spec. of teeth
		N	D2	d1	D1	F	H1	H2	H3	Na	P.C.D	d2	d3	dh	Nb	P.C.D	K°	d4	n	P.C.D	MxP		
1	06-050-22XV	6	49	22	50	5	10.50	8	20	4	34	4.2	8	(6)	4	32	45	6	-	-	-	0.50	0.45
2	050-36XV	6	49	36	50	6	12.80	10	24	6	48	4.2	8	(6.8)	6	44	30	6	-	-	-	0.80	0.72
3	080-44XV	6	79	44	80	8	15.30	12	29	6	60	6.6	11	(8.8)	4	55	30	6	-	-	-	0.80	0.72
4	100-40XV	6	98	40	100	9	18.37	14	34	6	60	6.6	11	(6)	3	60	30	8	2	60	M8x1.25	1.37	1.23
5	120-60XV	6	118	60	120	10	18.75	14	34	6	80	6.6	11	(6)	3	80	30	8	2	80	M6x1	1.75	1.55
6	140-80XV	6	138	80	140	10	18.75	14	34	6	100	6.6	11	(6)	3	100	30	8	2	100	M6x1	1.75	1.55
7	160-100XV	6	158	100	160	10	21.75	16.5	40	8	118	M8x1.25	-	-	3	118	22.5	8	2	118	M8x1.25	1.75	1.55
8	180-120XV	6	178	120	180	10	21.75	16.5	40	8	140	9	14	(8)	3	140	22.5	8	2	140	M8x1.25	1.75	1.55
9	210-135XV	6	208	135	210	12	21.75	16.5	40	12	165	M8x1.25	-	-	3	158	15	10	2	165	M8x1.25	1.75	1.55
10	08-050-22XV	8	49	22	50	5	10.50	22	20	4	34	4.2	8	(6)	4	32	45	6	-	-	-	0.50	0.45
11	063-36XV	8	62	36	63	6	12.80	10	24	6	48	4.2	8	(6.8)	6	44	30	6	-	-	-	0.80	0.72
12	080-44XV	8	79	44	80	8	15.30	12	29	6	60	6.6	11	(8.8)	4	55	30	6	-	-	-	0.80	0.72
13	100-40XV	8	98	40	100	9	18.37	14	34	6	60	6.6	11	(6)	3	60	30	8	2	60	M8x1.25	1.37	1.23
14	120-60XV	8	118	60	120	10	18.75	14	34	6	80	6.6	11	(6)	3	80	30	8	2	80	M6x1	1.75	1.55
15	140-80XV	8	138	80	140	10	18.75	14	34	6	100	6.6	11	(6)	3	100	30	8	2	100	M6x1	1.75	1.55
16	160-100XV	8	158	100	160	10	21.75	16.5	40	8	118	M8x1.25	-	-	3	118	22.5	8	2	118	M8x1.25	1.75	1.55
17	180-120XV	8	178	120	180	10	21.75	16.5	40	8	140	9	14	(8)	3	140	22.5	8	2	140	M8x1.25	1.75	1.55
18	210-135XV	8	208	135	210	12	21.75	16.5	40	12	165	M8x1.25	-	-	3	158	15	10	2	165	M8x1.25	1.75	1.55
19	10-050-22XV	10	49	22	50	5	10.50	8	20	4	34	4.2	8	(6)	4	32	45	6	-	-	-	0.50	0.45
20	063-36XV	10	62	36	63	6	12.80	10	24	6	48	4.2	8	(6.8)	6	44	30	6	-	-	-	0.80	0.72
21	080-44XV	10	79	44	80	8	15.30	12	29	6	60	6.6	11	(8.8)	4	55	30	6	-	-	-	0.80	0.72
22	100-40XV	10	98	40	100	9	18.37	14	34	6	60	6.6	11	(6)	3	60	30	8	2	60	M8x1.25	1.37	1.23
23	120-60XV	10	118	60	120	10	18.75	14	34	6	80	6.6	11	(6)	3	80	30	8	2	80	M6x1	1.75	1.55
24	140-80XV	10	138	80	140	10	18.75	14	34	6	100	6.6	11	(6)	3	100	30	8	2	100	M6x1	1.75	1.55
25	160-100XV	10	158	100	160	10	21.75	16.5	40	8	118	M8x1.25	-	-	3	118	22.5	8	2	118	M8x1.25	1.75	1.55
26	180-120XV	10	178	120	180	10	21.75	16.5	40	8	140	9	14	(8)	3	140	22.5	8	2	140	M8x1.25	1.75	1.55
27	210-135XV	10	208	135	210	12	21.75	16.5	40	12	165	M8x1.25	-	-	3	158	15	10	2	165	M8x1.25	1.75	1.55
28	12-050-22XV	12	49	22	50	5	10.50	8	20	4	34	4.2	8	(6)	4	32	45	6	-	-	-	0.50	0.45
29	063-36XV	12	62	36	63	6	12.80	10	24	6	48	4.2	8	(6.8)	6	44	30	6	-	-	-	0.80	0.72
30	080-44XV	12	79	44	80	8	15.30	12	29	6	60	6.6	11	(8.8)	4	55	30	6	-	-	-	0.80	0.72
31	100-40XV	12	98	40	100	9	18.37	14	34	6	60	6.6	11	(6)	3	60	30	8	2	60	M8x1.25	1.37	1.23
32	120-60XV	12	118	60	120	10	18.75	14	34	6	80	6.6	11	(6)	3	80	30	8	2	80	M6x1	1.75	1.55
33	140-80XV	12	138	80	140	10	18.75	14	34	6	100	6.6	11	(6)	3	100	30	8	2	100	M6x1	1.75	1.55
34	160-100XV	12	158	100	160	10	21.75	16.5	40	8	118	M8x1.25	-	-	3	118	22.5	8	2	118	M8x1.25	1.75	1.55
35	180-120XV	12	178	120	180	10	21.75	16.5	40	8	140	9	14	(8)	3	140	22.5	8	2	140	M8x1.25	1.75	1.55
36	210-135XV	12	208	135	210	12	21.75	16.5	40	12	165	M8x1.25	-	-	3	158	15	10	2	165	M8x1.25	1.75	1.55

· The sizes shown above are the standard sizes and it can be customized.



» Specification

Model No.	20 Number of teeth	030 - Outside DIA.	12 Inside DIA.	XV 2PCC
-----------	-----------------------	-----------------------	-------------------	------------

NO	Model NO.	Number of teeth		Outside DIA.	Inside DIA.	Teeth profile	Top end thickness		Inside thickness	Total thickness	Inside DIA.	Fixed bait hole				Positioning pin hole			Withdraw bait hole		Pitch of top end	Allowance of pitch top end	
		N	D2				F	H1				H2	H3	Na	P.C.D.	d2	d3	dh	Number of holes	P.C.D.			Angle of hole
37	20-030-12XV	20	29	12	30	3	7.30	5.5	14	4	20	M5	-	-	2	19	45°	ø2	4	20	M5x0.8	0.3	0.27
38	063-36XV	20	62	36	63	6	12.80	10.0	24	6	48	M5	8.0	6.8	4	44	30°		6	48	M5x0.8	0.8	0.69
39	080-44XV	20	79	44	80	8	15.30	12.0	29	6	60	M8	11.0	8.8	4	55	30°		6	60	M8x1.25	0.8	0.69
40	100-40XV	20	98	40	100	9	18.37	14.0	34	6	60	6.6	11.0	6.0	3	60	30°	8	2	60	M8x1.25	1.37	1.22
41	24-050-22XV	24	49	22	50	5	10.50	8.0	20	4	34	M5	8.0	6.0	4	32	45°		4	34	M5x0.8	0.5	0.42
42	063-36XV	24	62	36	63	6	12.80	10.0	24	6	48	M5	8.0	6.8	4	44	30°		6	48	M5x0.8	0.8	0.69
43	080-44XV	24	79	44	80	8	15.30	12.0	29	6	60	M8	11.0	8.8	4	55	30°		6	60	M8x1.25	0.8	0.69
44	120-60XV	24	118	60	120	8	18.30	14.0	34	6	80	6.6	11.0	6.0	3	80	30°	8	2	80	M8x1.25	1.3	1.15
45	140-80XV	24	138	80	140	9	18.59	14.0	34	6	100	6.6	11.0	6.0	3	100	30°	8	2	100	M8x1.25	1.59	1.42
46	160-100XV	24	158	100	160	9	21.73	16.5	40	8	118	9.0	14.0	8.0	3	118	22.5°	10	2	118	M8x1.25	1.73	1.54
47	180-120XV	24	178	120	180	9	21.61	16.5	40	8	140	9.0	14.0	8.0	3	140	22.5°	8	2	140	M8x1.25	1.61	1.44
48	200-120XV	24	198	120	200	9	21.63	16.5	40	8	150	9.0	14.0	8.0	3	150	22.5°	8	2	150	M8x1.25	1.63	1.45
49	210-135XV	24	208	135	210	12	21.71	16.5	40	12	165	9.0	14.0	8.0	3	158	15°	10	2	165	M8x1.25	1.71	1.53
50	250-160XV	24	248	160	250	11	21.42	16.5	40	8	195	11.0	17.5	10.0	3	195	22.5°	10	2	195	M10x1.50	1.42	1.27
51	30-100-40XV	30	98	40	100	7	18.30	14.0	34	6	60	6.6	11.0	6.0	3	60	30°	8	2	60	M8x1.25	1.3	1.15
52	120-60XV	30	118	60	120	7	18.56	14.0	34	6	80	6.6	11.0	6.0	3	80	30°	8	2	80	M8x1.25	1.59	1.39
53	32-120-60XV	32	118	60	120	11	18.46	14.0	34	6	82	6.6	11.0	6.0	3	82	30°	8	2	82	M8x1.25	1.46	1.30
54	36-140-80XV	36	138	80	140	11	18.52	14.0	34	6	100	6.6	11.0	6.0	3	100	30°	8	2	100	M8x1.25	1.52	1.36
55	160-100XV	36	158	100	160	9	21.73	16.5	40	8	118	9.0	14.0	8.0	3	118	22.5°	10	2	118	M8x1.25	1.73	1.54
56	180-120XV	36	178	120	180	9	21.37	16.5	40	8	140	9.0	14.0	8.0	3	140	22.5°	8	2	140	M8x1.25	1.37	1.22
57	200-120XV	36	198	120	200	11	21.52	16.5	40	8	150	9.0	14.0	8.0	3	150	22.5°	8	2	150	M8x1.25	1.52	1.36
58	40-140-80XV	40	138	80	140	11	18.37	14.0	34	6	100	6.6	11.0	6.0	3	100	30°	8	2	100	M8x1.25	1.37	1.22
59	160-100XV	40	158	100	160	9	21.56	16.5	40	8	118	9.0	14.0	8.0	3	118	22.5°	10	2	118	M8x1.25	1.56	1.39
60	180-120XV	40	178	120	180	9	21.76	16.5	40	8	140	9.0	14.0	8.0	3	140	22.5°	8	2	140	M8x1.25	1.76	1.57
61	200-120XV	40	198	120	200	9	21.37	16.5	40	8	150	9.0	14.0	8.0	3	150	22.5°	8	2	150	M8x1.25	1.37	1.22
62	250-160XV	40	248	160	250	13	21.71	16.5	40	8	195	11.0	17.5	10.0	3	195	22.5°	10	2	195	M10x1.50	1.71	1.53
63	48-210-135XV	48	208	135	210	13	21.71	16.5	40	12	165	9.0	14.0	8.0	3	158	15°	10	2	165	M8x1.25	1.71	1.53
64	250-160XV	48	248	160	250	11	21.42	16.5	40	8	195	11.0	17.5	10.0	3	195	22.5°	10	2	195	M10x1.50	1.42	1.27
65	280-190XV	48	278	190	280	13	21.59	16.5	40	8	222	13.0	20.0	12.0	3	222	22.5°	10	2	222	M10x1.50	1.59	1.42
66	320-210XV	48	318	210	320	11	30.82	25.5	58	12	258	13.0	20.0	12.0	3	258	15°	12	4	258	M12x1.75	1.82	1.62
67	400-280XV	48	398	280	400	13	31.52	26.0	60	12	335	13.0	20.0	12.0	3	335	15°	12	4	335	M12x1.75	1.52	1.36
68	520-415XV	48	518	415	520	15	31.97	26.0	60	12	450	13.0	20.0	12.0	3	450	15°	12	4	450	M12x1.75	1.97	1.76
69	60-250-160XV	60	248	160	250	9	21.63	16.5	40	8	195	11.0	17.5	10.0	3	195	22.5°	10	2	195	M10x1.50	1.63	1.45
70	280-190XV	60	278	190	280	11	26.82	21.5	50	10	224	11.0	17.5	10.0	3	222	18°	10	2	224	M10x1.50	1.82	1.62
71	320-210XV	60	318	210	320	11	30.46	25.5	58	10	258	13.0	20.0	12.0	3	258	18°	12	4	258	M12x1.75	1.46	1.30
72	360-250XV	60	358	250	360	13	30.64	26.0	58	12	300	13.0	20.0	12.0	3	300	15°	12	4	300	M12x1.75	1.64	1.46
73	400-280XV	60	398	280	400	15	31.82	26.0	60	12	335	13.0	20.0	12.0	3	335	15°	12	4	335	M12x1.75	1.82	1.62

• The sizes shown above are the standard sizes and it can be customized.

2PCC

2Pieces Curvic Coupling

- It is simple
- It is easy to use with division devices for normal purpose.
- It gives you an advantage of excellent inter change ability.
- Customized manufacturing for specific purpose is available.

» Specification

Model No.	40	320	120	XV
	Number of teeth	Outside DIA.	Inside DIA.	2PCC

NO	Model NO.	Number of teeth		Outside DIA.	Inside DIA.	Outside DIA.	Teeth profile	Top end thickness	Inside thickness	Total thickness	Inside DIA.	Fixed bolt hole				Positioning pin hole			Withdraw bolt hole		Pitch of top end	Allowance of pitch top end	
		N	D2	d1	D1	F	H1	H2	H3	Na		Number of holes	Hole DIA.	Top DIA.	Dept. of hole	Number of holes	P.C.D	Angle of hole	Hole DIA.	Number of holes			P.C.D
74	60-600-415XV	60	598	480	600	15	36.95	29.0	70	12	530	17.0	26.0	16.0	3	530	15°	12	4	530	M12x1.75	1.95	1.74
75	72-200-120XV	72	198	120	200	9	20.99	16.5	40	8	150	9.0	14.0	8.0	3	150	22.5°	8	2	150	M8x1.25	0.99	0.89
76	250-160XV	72	248	160	250	11	21.42	16.5	40	8	195	11.0	17.5	10.0	3	195	22.5°	10	2	195	M10x1.50	1.42	1.27
77	280-190XV	72	278	190	280	11	21.42	16.5	40	8	222	13.0	20.0	12.0	3	222	22.5°	10	2	222	M10x1.50	1.42	1.27
78	320-210XV	72	318	210	320	11	30.74	25.5	58	12	258	13.0	20.0	12.0	3	258	15°	12	4	258	M12x1.75	1.74	1.55
79	360-250XV	72	358	250	360	11	30.37	26.0	58	12	300	13.0	20.0	12.0	3	300	15°	12	4	300	M12x1.75	1.37	1.22
80	400-280XV	72	398	280	400	13	31.52	26.0	60	12	335	13.0	20.0	12.0	3	335	15°	12	4	335	M12x1.75	1.52	1.36
81	420-320XV	72	418	320	420	13	31.59	26.0	60	12	360	13.0	20.0	12.0	3	360	15°	12	4	360	M12x1.75	1.59	1.42
82	450-340XV	72	448	340	450	15	31.71	26.0	60	12	387	13.0	20.0	12.0	3	387	15°	12	4	387	M12x1.75	1.71	1.53
83	520-415XV	72	518	415	520	15	31.97	26.0	60	12	450	13.0	20.0	12.0	3	450	15°	12	4	450	M12x1.75	1.97	1.76
84	600-415XV	72	598	480	600	19	37.28	29.0	70	12	530	17.0	26.0	16.0	3	530	15°	12	4	530	M12x1.75	2.28	2.04
85	700-560XV	72	698	560	700	19	36.70	29.0	70	12	610	17.0	26.0	16.0	3	610	15°	14	4	610	M12x1.75	1.70	1.50
86	800-660XV	72	798	660	800	19	39.20	32.0	75	18	710	17.0	26.0	16.0	3	710	10°	14	4	710	M12x1.75	1.70	1.50
87	900-740XV	72	898	740	900	21	41.70	34.5	80	18	800	17.0	26.0	16.0	3	800	10°	14	4	800	M12x1.75	1.70	1.50
88	1000-830XV	72	998	830	1000	22	61.70	54.5	120	18	900	17.0	26.0	16.0	4	900	10°	-	4	900	M12x1.75	1.70	1.50
89	1100-900XV	72	1,098	900	1,100	22	66.70	59.5	130	20	980	21.0	32.0	20.0	4	980	9°	-	4	980	M16x2.00	1.70	1.50
90	1200-1000XV	72	1,198	1,000	1,200	22	71.70	64.5	140	20	1,080	21.0	32.0	20.0	4	1,080	9°	-	4	1,080	M16x2.00	1.70	1.50
91	1300-1100XV	72	1,298	1,100	1,300	22	76.70	69.5	150	24	1,170	21.0	32.0	20.0	4	1,170	7.5°	-	4	1,170	M16x2.00	1.70	1.50
92	360-280-190XV	360	278	190	280	8	20.35	16.5	40	8	222	13.0	20.0	12.0	3	222	22.5°	10	2	222	M10x1.50	0.35	0.30
93	320-210XV	360	316	210	320	8	29.35	25.5	58	12	258	13.0	20.0	12.0	3	258	15°	12	4	258	M12x1.75	0.35	0.30
94	360-250XV	360	358	250	360	10	29.39	26.0	58	12	300	13.0	20.0	12.0	3	300	15°	12	4	300	M12x1.75	0.39	0.35
95	400-280XV	360	398	280	400	13	30.45	26.0	60	12	335	13.0	20.0	12.0	3	335	15°	12	4	335	M12x1.75	0.45	0.39
96	420-320XV	360	418	320	420	13	30.45	26.0	60	12	360	13.0	20.0	12.0	3	360	15°	12	4	360	M12x1.75	0.45	0.39
97	450-340XV	360	448	340	450	15	30.49	26.0	60	12	387	13.0	20.0	12.0	3	387	15°	12	4	387	M12x1.75	0.49	0.42
98	520-415XV	360	518	415	520	15	30.57	26.0	60	12	450	13.0	20.0	12.0	3	450	15°	12	4	450	M12x1.75	0.57	0.49
99	600-415XV	360	598	480	600	15	35.66	29.0	70	12	530	17.0	26.0	16.0	3	530	15°	12	4	530	M12x1.75	0.66	0.57
100	700-560XV	360	698	560	700	19	35.67	29.0	70	12	610	17.0	26.0	16.0	3	610	15°	14	4	610	M12x1.75	0.67	0.58
101	800-660XV	360	798	660	800	19	38.26	32.0	75	18	710	17.0	26.0	16.0	3	710	10°	14	4	710	M12x1.75	0.70	0.68
102	900-740XV	360	898	740	900	21	40.98	34.5	80	18	800	17.0	26.0	16.0	3	800	10°	14	4	800	M12x1.75	0.98	0.88
103	1000-830XV	360	998	830	1000	22	60.95	54.5	120	18	900	17.0	26.0	16.0	4	900	10°	-	4	900	M12x1.75	0.95	0.82
104	1100-900XV	360	1,098	900	1,100	22	66.05	59.5	130	20	980	21.0	32.0	20.0	4	980	9°	-	4	980	M16x2.00	1.05	0.91
105	720-800-660XV	720	798	660	800	19	37.95	32.0	75	18	710	17.0	26.0	16.0	3	710	10°	14	4	710	M12x1.75	0.70	0.68
106	1000-830XV	720	998	830	1000	22	60.57	54.5	120	18	900	17.0	26.0	16.0	4	900	10°	-	4	900	M12x1.75	0.95	0.82
107	1100-900XV	720	1,098	900	1,100	22	65.66	59.5	130	20	980	21.0	32.0	20.0	4	980	9°	-	4	980	M16x2.00	1.05	0.91
108	1200-1000XV	720	1,198	1,000	1,200	22	71.14	64.5	140	20	1,080	21.0	32.0	20.0	4	1,080	9°	-	4	1,080	M16x2.00	1.14	0.98

· The sizes shown above are the standard sizes and it can be customized.

3PCC

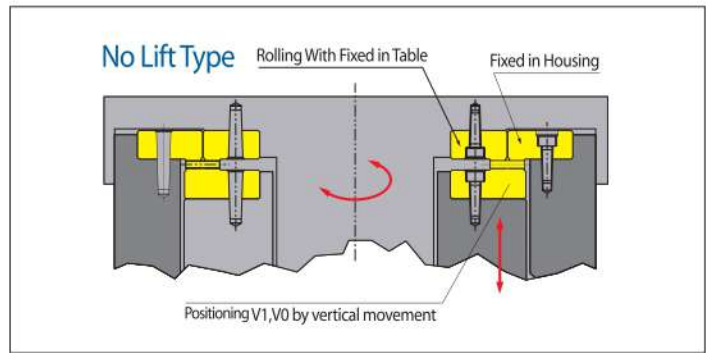
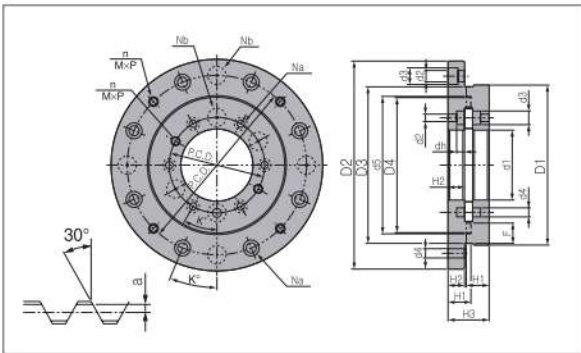
3Pieces Curvic Coupling



3PCC

3Pieces Curvic Coupling

- The index table does not need to be lifted
- Machining heavy works are possible
- It is preventable for chips to enter into the index table.
- Customized manufacturing for specific purpose is available.



Model No.	0	24	110	040
	3PCC	Number of teeth	Outside DIA.	Inside DIA.

» Specification

NO	Model NO.	Number of teeth	Outside DIA.	Outside DIA.	Inside DIA.	Teeth profile	Top end thickness of teeth	Inside thickness	Total thickness	Fixed bolt hole				Positioning pin hole			Withdraw bolt hole			Pitch of top end	Pitch of pitch top end	Allowance of pitch top end		
										Inside DIA.	Number of holes	Hole DIA.	Top DIA.	Depth of hole	Number of pin hole	PCD	Angle of hole	Hole DIA.	Number of teeth hole				PCD	Spec. of teeth
		N	D1	D2	d1	F	H1	H2	H3	Na	P.C.D	d2	d3	dh	Nb	P.C.D	K°	d4	n	P.C.D	MxP	a	±A	
1	024-110-040**	V1,X	24	110	-	40	14	16.75	11.5	30	6	60	6.6	11	6.0	3	60	30°	8	2	60	M8x1.25	1.75	1.55
		V0	24	-	170	-	-	16.75	11.5	30	8	140	M10	14	8.5	3	140	22.5°	8	2	140	M8x1.25	1.75	1.55
2	135-060**	V1,X	24	135	-	60	18	18.75	13.5	34	6	80	6.6	11	6.0	3	80	30°	8	2	80	M8x1.25	1.75	1.55
		V0	24	-	175	-	-	18.75	13.5	34	8	150	M10	14	8.5	3	150	22.5°	8	2	150	M8x1.25	1.75	1.55
3	165-080**	V1,X	24	165	-	80	20	20.75	15.5	38	6	100	6.6	11	6.0	3	100	30°	8	2	100	M8x1.25	1.75	1.55
		V0	24	-	220	-	-	20.75	15.5	38	8	195	M12	17.5	10.5	3	195	22.5°	10	2	195	M10x1.50	1.75	1.55
4	200-120**	V1,X	24	200	-	120	20	21.75	16.5	40	8	140	9.0	14	8.0	3	140	22.5°	8	2	140	M8x1.25	1.75	1.55
		V0	24	-	255	-	-	21.75	16.5	40	10	224	M12	17.5	10.5	3	224	18°	10	2	224	M10x1.50	1.75	1.55
5	230-135**	V1,X	24	230	-	135	22	21.75	16.5	40	12	165	9.0	14	8.0	3	165	15°	10	2	165	M8x1.25	1.75	1.55
		V0	24	-	290	-	-	21.75	16.5	40	12	258	M12	17.5	10.5	3	258	15°	12	2	258	M12x1.75	1.75	1.55
6	270-160**	V1,X	24	270	-	160	24	21.75	16.5	40	8	195	11.0	17.5	10.0	3	195	22.5°	10	2	195	M10x1.50	1.75	1.55
		V0	24	-	330	-	-	21.75	16.5	40	12	300	M14	20	12.5	3	300	15°	12	4	300	M12x1.75	1.75	1.55
7	030-110-040**	V1,X	30	110	-	-	14	16.40	11.5	30	6	60	6.6	11	6.0	1	60	30°	8	2	60	M8x1.25	1.4	1.26
		V0	30	-	170	-	-	16.40	11.5	30	8	140	M10	14	8.5	1	140	22.5°	8	2	140	M8x1.25	1.4	1.26
8	135-060**	V1,X	30	135	-	60	18	18.75	13.5	34	6	80	6.6	11	6.5	1	80	30°	8	2	80	M8x1.25	1.75	1.55
		V0	30	-	175	-	-	18.75	13.5	34	8	150	M10	14	8.5	3	150	22.5°	8	2	150	M8x1.25	1.75	1.55
9	165-080**	V1,X	30	165	-	80	20	20.75	15.5	38	6	100	6.6	11	6.0	13	100	30°	8	2	100	M8x1.25	1.75	1.55
		V0	30	-	220	-	-	20.75	15.5	38	8	195	M12	17.5	10.5	3	195	22.5°	10	4	195	M10x1.50	1.75	1.55
10	200-120**	V1,X	30	200	-	120	20	21.75	16.5	40	8	140	9.0	14	8.0	3	140	22.5°	8	2	140	M8x1.25	1.75	1.55
		V0	30	-	255	-	-	21.75	16.5	40	10	224	M12	17.5	10.5	3	224	18°	10	2	224	M10x1.50	1.75	1.55

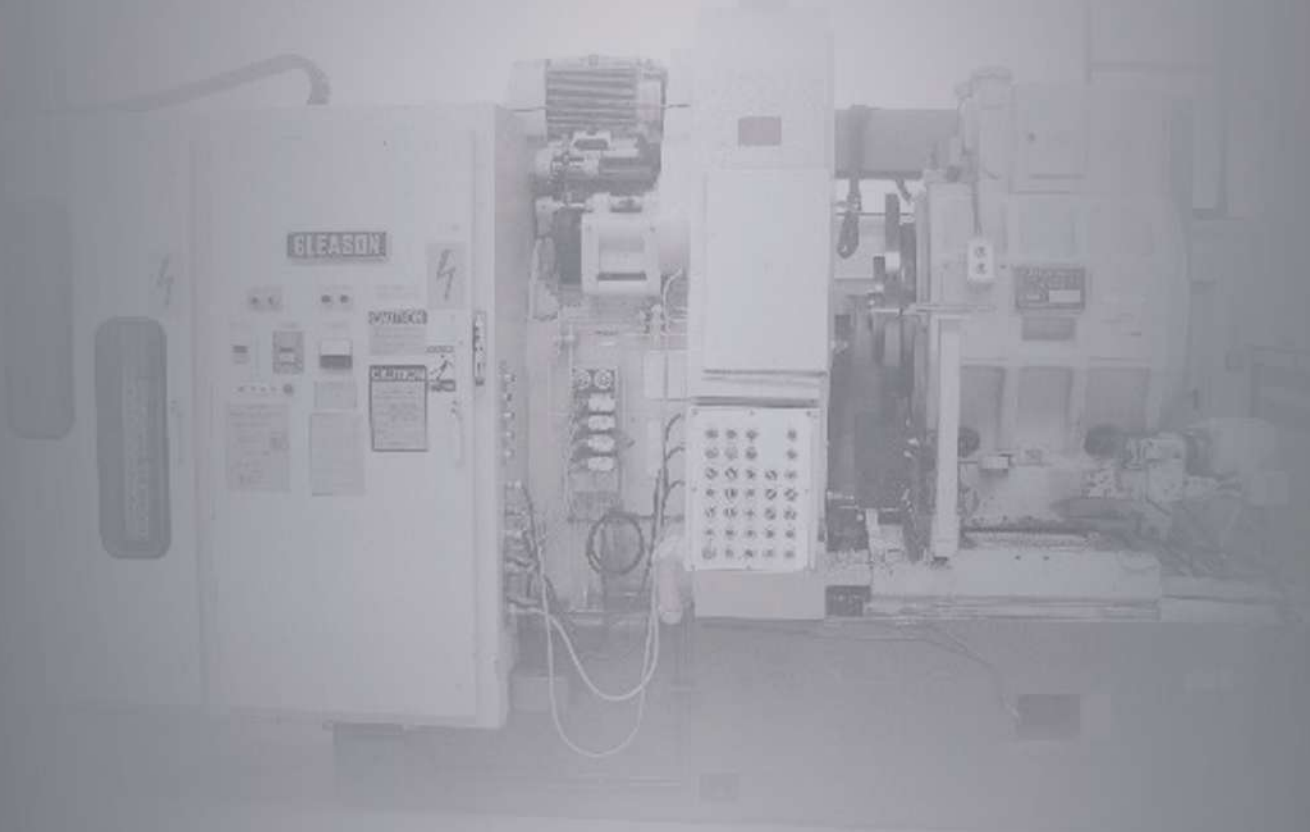
· The sizes shown above are the standard sizes and it can be customized.

» Specification

Model No.	0	360	250	180
	3PCC	Number of teeth	Outside DIA.	Inside DIA.

NO	Model NO.		Number of teeth		Outside DIA.		Inside DIA.		Teeth profile	Top end thickness	Inside thickness	Total thickness	Fixed bolt hole					Positioning pin hole			Withdraw bolt hole		Pitch of top end	Allowance of pitch top end
			N	D1	D2	d1	F	H1					H2	H3	Number of holes	P.C.D	Hole DIA.	Top DIA.	Dept. of hole	Number of pinhole	P.C.D	Angle of hole		
11	230-135**	V1,X	30	230	-	135	22	21.75	16.5	40	12	165	9.0	14	8.0	3	165	15°	10	2	165	M8x1.25	1.75	1.55
		VO	30	-	290	-	-	21.75	16.5	40	12	258	M12	17.5	10.5	3	258	15°	12	4	258	M12x1.75	1.75	1.55
12	270-160**	V1,X	30	270	-	160	24	21.75	16.5	40	8	195	11.0	17.5	10.0	3	195	22.5°	10	2	195	M10x1.50	1.75	1.55
		VO	30	-	330	-	-	21.75	16.5	40	12	300	M14	20	12.5	3	300	15°	12	4	300	M12x1.75	1.75	1.55
13	048-335-220	V1,X	48	335	-	220	24	25.75	18.5	48	12	258	13.0	20	12.0	3	258	15°	12	4	258	M12x1.75	1.75	1.55
		VO	48	-	400	-	-	25.75	18.5	48	12	360	13.0	20	12.5	3	360	15°	12	4	360	M12x1.75	1.75	1.55
14	425-300	V1,X	48	425	-	300	28	26.75	19.5	50	12	335	13.0	20	12.0	3	335	15°	12	4	335	M12x1.75	1.75	1.55
		VO	48	-	482	-	-	26.75	19.5	50	12	450	13.0	20	12.5	3	450	15°	12	4	450	M12x1.75	1.75	1.55
15	540-415	V1,X	48	415	-	415	32	29.25	22.5	55	12	450	13.0	20	12.5	3	450	15°	12	4	450	M12x1.75	1.75	1.55
		VO	48	-	604	-	-	29.25	22.5	55	12	570	17.0	26	16.5	3	570	15°	12	4	570	M12x1.75	1.75	1.55
16	060-335-220	V1,X	60	335	-	220	24	25.75	18.5	48	12	258	13.0	20	12.0	3	258	15°	12	4	258	M12x1.75	1.75	1.55
		VO	60	-	400	-	-	25.75	18.5	48	12	360	13.0	20	12.5	3	360	15°	12	4	360	M12x1.75	1.75	1.55
17	425-300	V1,X	60	425	-	300	28	26.75	19.5	50	12	335	13.0	20	12.0	3	335	15°	12	4	335	M12x1.75	1.75	1.55
		VO	60	-	482	-	-	26.75	19.5	50	12	450	13.0	20	12.5	3	450	15°	12	4	450	M12x1.75	1.75	1.55
18	540-415	V1,X	60	540	-	415	32	29.25	22.5	55	12	450	13.0	20	12.0	3	450	15°	12	4	450	M12x1.75	1.75	1.55
		VO	60	-	604	-	-	29.25	22.5	55	12	570	17.0	26	16.5	3	570	15°	12	4	570	M12x1.75	1.75	1.55
19	072-335-220	V1,X	72	335	-	220	24	25.75	18.5	48	12	258	13.0	20	12.0	3	258	15°	12	4	258	M12x1.75	1.75	1.55
		VO	72	-	400	-	-	25.75	18.5	48	12	360	13.0	20	12.5	3	360	15°	12	4	360	M12x1.75	1.75	1.55
20	425-300	V1,X	72	425	-	300	28	26.75	19.5	50	12	335	13.0	20	12.0	3	335	15°	12	4	335	M12x1.75	1.75	1.55
		VO	72	-	482	-	-	26.75	19.5	50	12	450	13.0	20	12.5	3	450	15°	12	4	450	M12x1.75	1.75	1.55
21	540-415	V1,X	72	540	-	415	32	29.25	22.5	55	12	450	13.0	20	12.0	3	450	15°	12	4	450	M12x1.75	1.75	1.55
		VO	72	-	604	-	-	29.25	22.5	55	12	570	17.0	26	16.5	3	570	15°	12	4	570	M12x1.75	1.75	1.55
22	630-490	V1,X	72	630	-	490	32	31.75	24.5	60	12	530	17.0	26	14.0	3	530	15°	12	4	530	M12x1.75	1.75	1.55
		VO	72	-	700	-	-	31.75	24.5	60	18	660	17.0	26	16.5	3	660	10°	12	4	660	M12x1.75	1.75	1.55
23	820-670	V1,X	72	820	-	670	40	39.25	28.5	75	18	710	17.0	26	14.0	3	710	10°	14	4	710	M12x1.75	1.75	1.55
		VO	72	-	890	-	-	39.25	28.5	75	18	850	17.0	26	16.5	3	850	10°	14	4	850	M12x1.75	1.75	1.55
24	0360-250-180**	V1,X	360	250	-	180	8	20.2	18	40	12	205	11.0	17.5	10.0	3	205	15°	10	2	205	M10x1.50	0.2	0.17
		VO	360	-	300	-	8	20.2	18	40	12	270	M12	17.5	10.5	3	270	15°	12	4	270	M12x1.75	0.2	0.17
25	270-160**	V1,X	360	270	-	160	10	20.2	18	40	8	220	11.0	17.5	10.0	3	220	22.5°	10	2	220	M10x1.50	0.2	0.17
		VO	360	-	330	-	10	20.2	18	40	12	300	M14	20	12.5	3	300	15°	12	4	300	M12x1.75	0.2	0.17
26	335-220	V1,X	360	335	-	220	14	24.32	18.5	48	12	258	13.0	20	12.0	3	258	15°	12	4	258	M12x1.75	0.32	0.27
		VO	360	-	400	-	-	24.32	18.5	48	12	360	13.0	20	12.5	3	360	15°	12	4	360	M12x1.75	0.32	0.27
27	425-300	V1,X	360	425	-	300	20	25.42	19.5	50	12	335	13.0	20	12.0	3	335	15°	12	4	335	M12x1.75	0.42	0.37
		VO	360	-	482	-	-	25.42	19.5	50	12	450	13.0	20	12.5	3	450	15°	12	4	450	M12x1.75	0.42	0.37
28	540-415	V1,X	360	540	-	415	24	28.06	22.5	55	12	450	13.0	20	12.0	3	450	15°	12	4	450	M12x1.75	0.56	0.50
		VO	360	-	604	-	-	28.06	22.5	55	12	570	17.0	26	16.5	3	570	15°	12	4	570	M12x1.75	0.56	0.50
29	630-490	V1,X	360	630	-	490	28	30.67	24.5	60	12	530	17.0	26	14.0	3	530	15°	12	4	530	M12x1.75	0.67	0.58
		VO	360	-	700	-	-	30.67	24.5	60	18	660	17.0	26	16.5	3	660	10°	12	4	660	M12x1.75	0.67	0.58
30	0720-820-670	V1,X	720	820	-	670	40	37.92	28.5	75	18	710	17.0	26	14.0	3	710	10°	14	4	710	M12x1.75	0.42	0.37
		VO	720	-	890	-	-	37.92	28.5	75	18	850	17.0	26	16.5	3	850	10°	14	4	850	M12x1.75	0.42	0.37

. The sizes shown above are the standard sizes and it can be customized.



DLC DLCCO., LTD

Head Office / Factory

732-11, Anchung dong, Gwangsangu Gwangju Korea

TEL. 82-62-952-4148 | FAX. 82-62-951-0417

E-Mail. dlckorea@yahoo.co.kr

<http://www.dlckorea.com>